

**MC MINI CHAMFER**  
**MCH MINI CHAMFER HARDCUT**

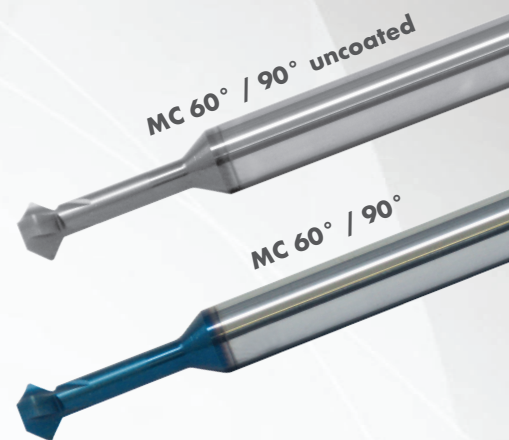
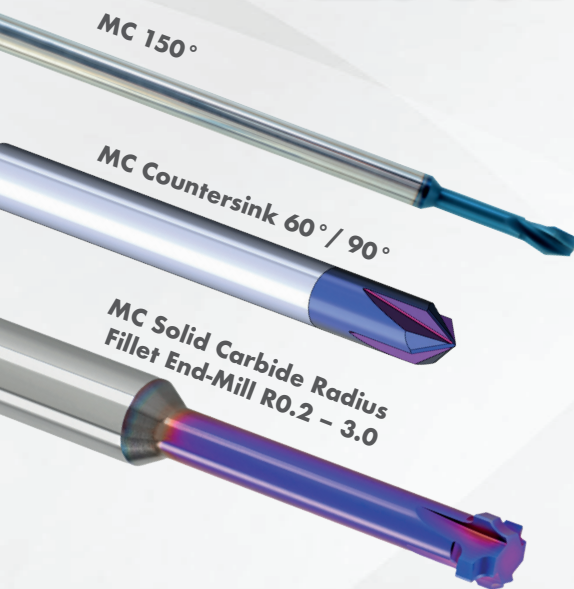
# PROMO

**MC NOW ALSO  
UNCOATED  
IN K20**

BUY ONLY **2** PIECES OF

**MC MINI CHAMFER /**  
**NEW MCH MINI CHAMFER HARDCUT**

AND GET **20% ADDITIONAL DISCOUNT**



Choose between 2 different MC Mini Chamfer and/or MCH Mini Chamfer Hardcut.

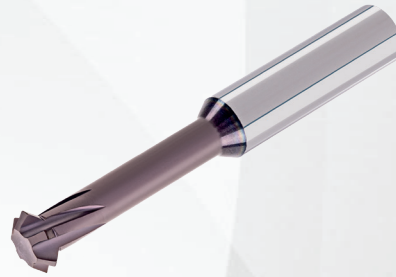
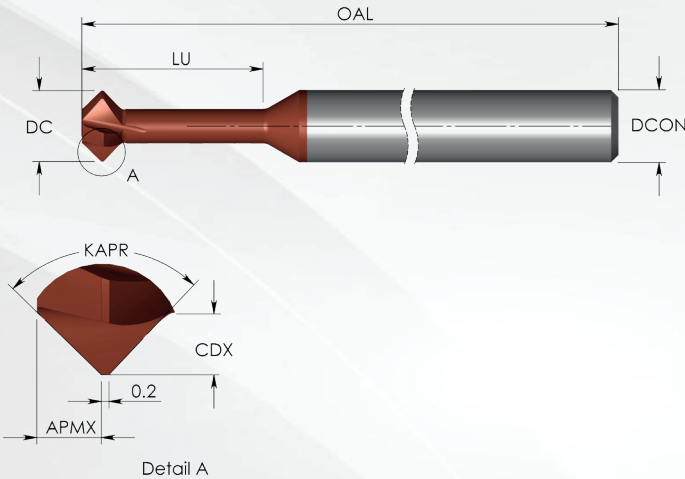
When ordering 2 pieces (free combinable) you get 20 % additional discount.

Promotion is **only** valid for catalog pages B15-3 to B15-7 and the new MCH Mini Chamfer Hardcut on the back.

Supervised by:

# MCH Mini Chamfer Hardcut

**NEW**



**90°**

Grade	P	M	K	N	S	H
MT3	●	○	○	○	●	≤62 HRc

Ordering Code	DCON	DC	LU	CDX	APMX	KAPR	No. of Flutes	OAL
MCH 03015 D3 A90	3	1.5	3.8	0.3	0.4	°90	4	38
MCH 0302 D5 A90	3	2.0	5.0	0.4	0.5	°90	4	38
MCH 03025 D6 A90	3	2.5	6.3	0.5	0.6	°90	4	38
MCH 0303 D7 A90	3	3.0	7.5	0.6	0.7	°90	4	38
MCH 04035 D9 A90	4	3.5	8.8	0.7	0.8	°90	4	50
MCH 0404 D10 A90	4	4.0	10.0	0.8	0.9	°90	4	50
MCH 05045 D11 A90	5	4.5	11.3	1.0	1.1	°90	4	50
MCH 0505 D12 A90	5	5.0	12.5	1.1	1.2	°90	4	50
MCH 06055 D13 A90	6	5.5	13.8	1.2	1.3	°90	4	57
MCH 0606 D15 A90	6	6.0	15.0	1.5	1.6	°90	4	57

Order example: MCH 0303 D7 A90 **MT3**

## Long Reach 90°

Grade	P	M	K	N	S	H
MT3	●	○	○	○	●	≤62 HRc

Ordering Code	DCON	DC	LU	CDX	APMX	KAPR	No. of Flutes	OAL
MCH 0303 D12 A90	3	3.0	12.0	0.6	0.7	°90	4	38
MCH 04035 D14 A90	4	3.5	14.0	0.7	0.8	°90	4	50
MCH 0404 D16 A90	4	4.0	16.0	0.8	0.9	°90	4	50
MCH 05045 D18 A90	5	4.5	18.0	1.0	1.1	°90	4	50
MCH 0505 D20 A90	5	5.0	20.0	1.1	1.2	°90	4	50
MCH 06055 D22 A90	6	5.5	22.0	1.2	1.3	°90	4	57
MCH 0606 D24 A90	6	6.0	24.0	1.5	1.6	°90	4	57
MCH 0808 E28 A90	8	8.0	28.0	1.6	1.7	°90	5	63
MCH 1010 F35 A90	10	10.0	35.0	1.8	1.9	°90	6	72
MCH 1212 G42 A90	12	12.0	42.0	2.1	2.2	°90	7	83

**60°**

Ordering Code	DCON	DC	LU	CDX	APMX	KAPR	No. of Flutes	OAL
MCH 0302 D5 A60	3	2.0	5.0	0.4	0.3	°60	4	38
MCH 0303 D7 A60	3	3.0	7.5	0.6	0.3	°60	4	38
MCH 04035 D9 A60	4	3.5	8.8	0.7	0.5	°60	4	50
MCH 0404 D10 A60	4	4.0	10.0	0.8	0.5	°60	4	50
MCH 05045 D11 A60	5	4.5	11.3	1.0	0.6	°60	4	50
MCH 0505 D12 A60	5	5.0	12.5	1.1	0.7	°60	4	50

Order example: MCH 04035 D9 A60 **MT3**

● First choice    ○ Alternative